

SAW Resonator 868.35 MHz

MODEL NO.: TC0196A

REV. NO.:1

A. FEATURES:

- 1-Port Resonator.

RoHS Compliant
Lead free
Lead-free soldering

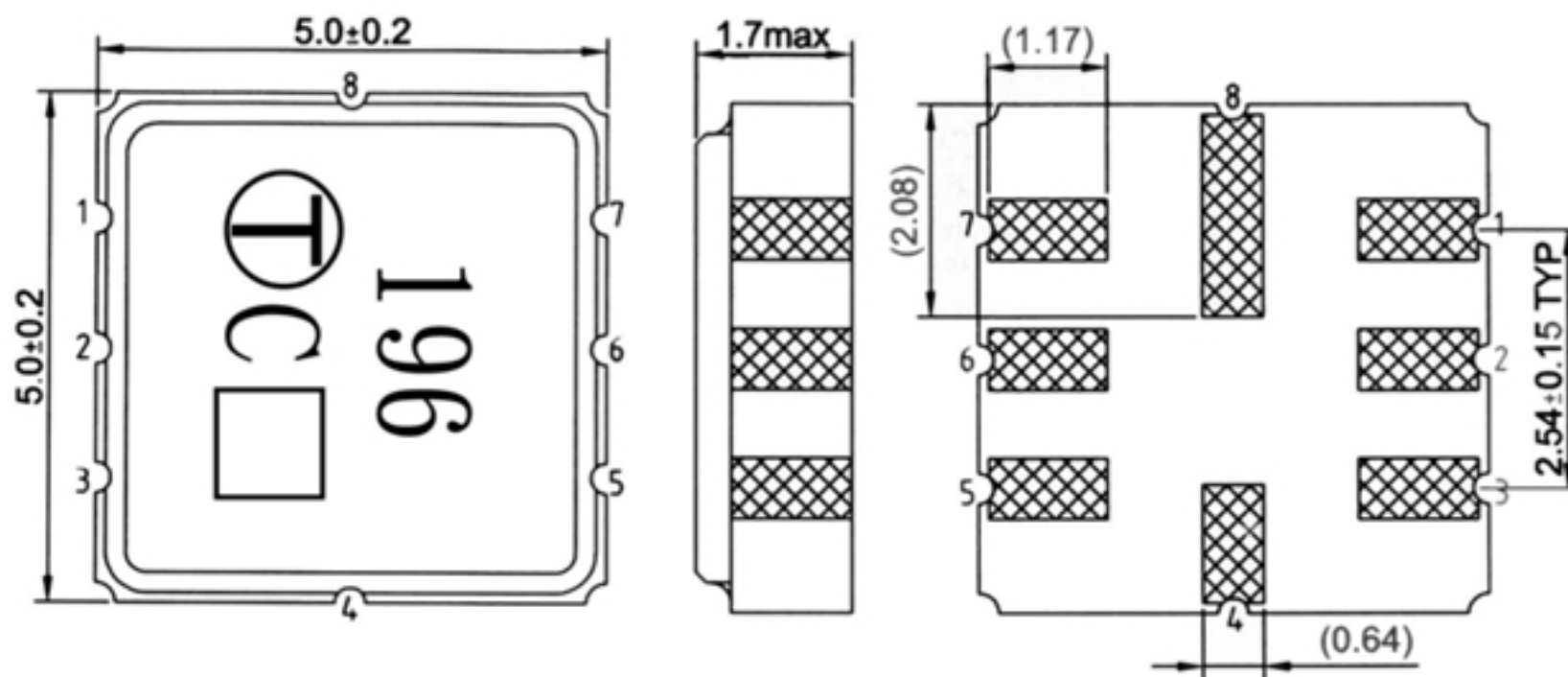
B. MAXIMUM RATING:

1. Input Power Level: 0 dBm
2. DC voltage: 12 V
3. Operating Temperature: -40°C to +85°C
4. Storage Temperature: -40°C to +85°C

C. ELECTRICAL CHARACTERISTICS:

| Characteristic | Units | Minimum | Typical | Maximum |
|--------------------------------|----------------|---------------|---------|---------|
| Center frequency Fr | MHz | 868.275 | 868.350 | 868.425 |
| Insertion Loss IL | dB | - | 1.3 | 2.5 |
| Equivalent Elements | | | | |
| Motional capacitance C1 | fF | - | 1.20 | - |
| Motional inductance L1 | μ H | - | 28.02 | - |
| Motional resistance R1 | Ohm | - | 18.15 | - |
| Parallel capacitance Co | pF | - | 2.50 | - |
| Temp. coeff. | ppm/c*2 | - | 0.032 | - |
| Turnover To | deg.C | 20 | - | 50 |
| Package size | | SMD 5X5X1.4mm | | |

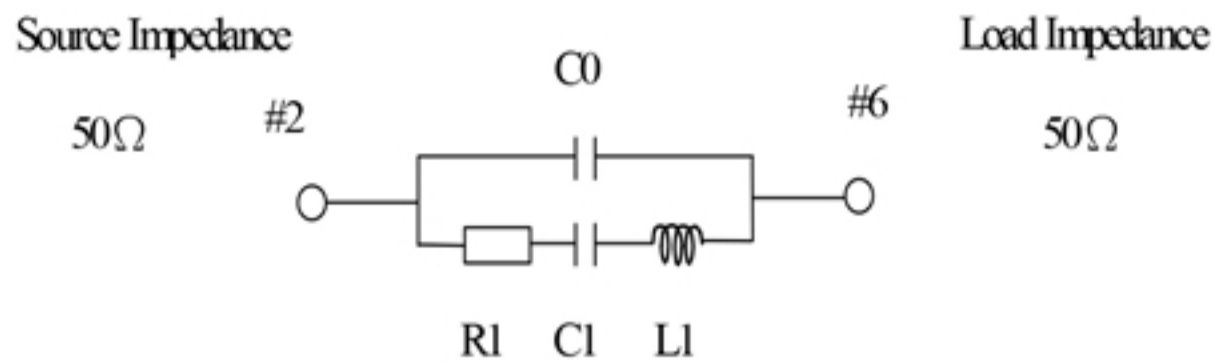
D. OUTLINE DRAWING:



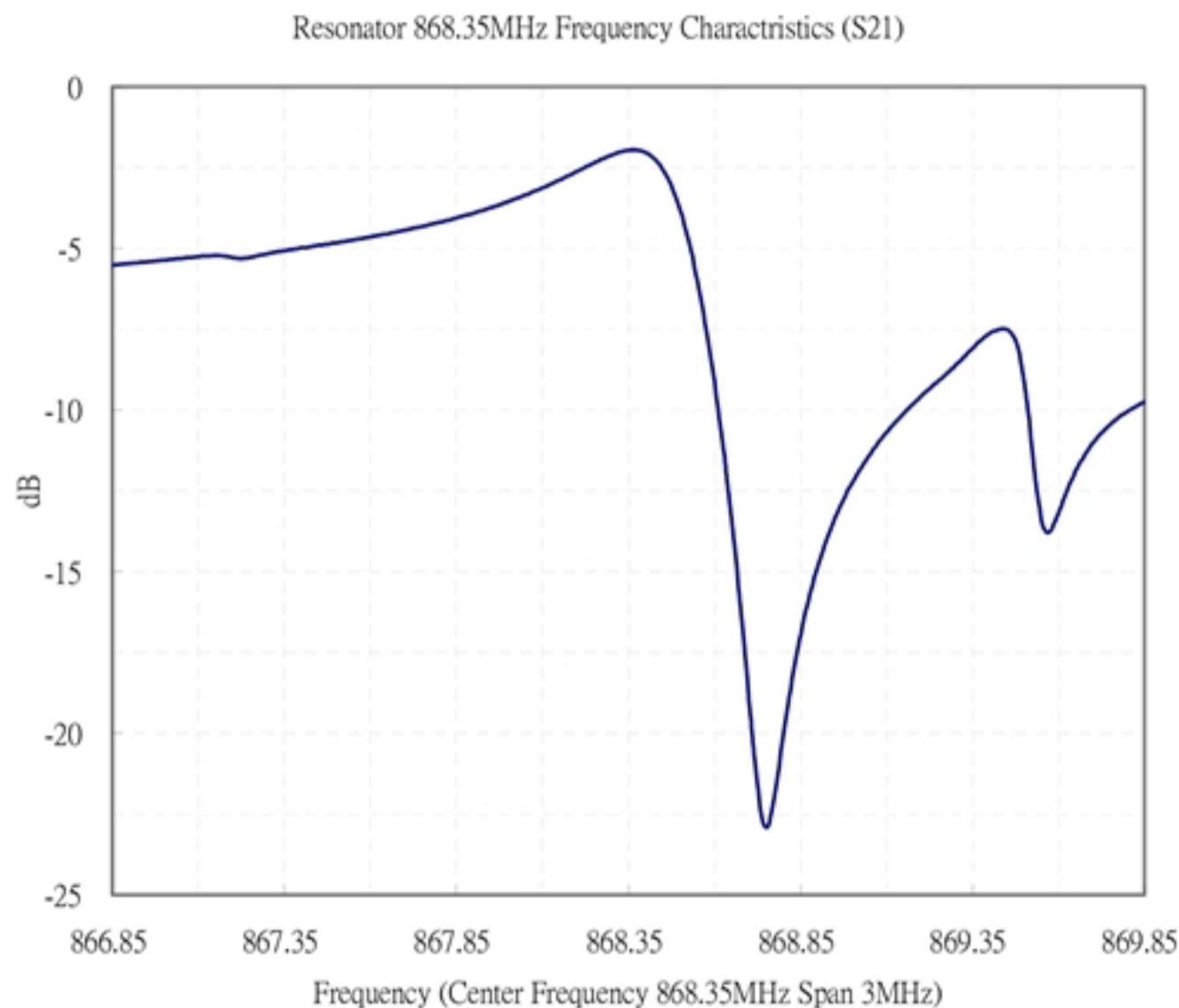
#2 : Input or Output
 #6 : Output or Input
 #4、8 : Case Ground
 #1、3、5、7 : Ground
 □ : Date code
 Unit : mm

E. EQUIVALENT CIRCUIT:

One-Port Resonator:



F. FREQUENCY CHARACTERISTICS:



G. TEST CIRCUIT:

Network analyzer

